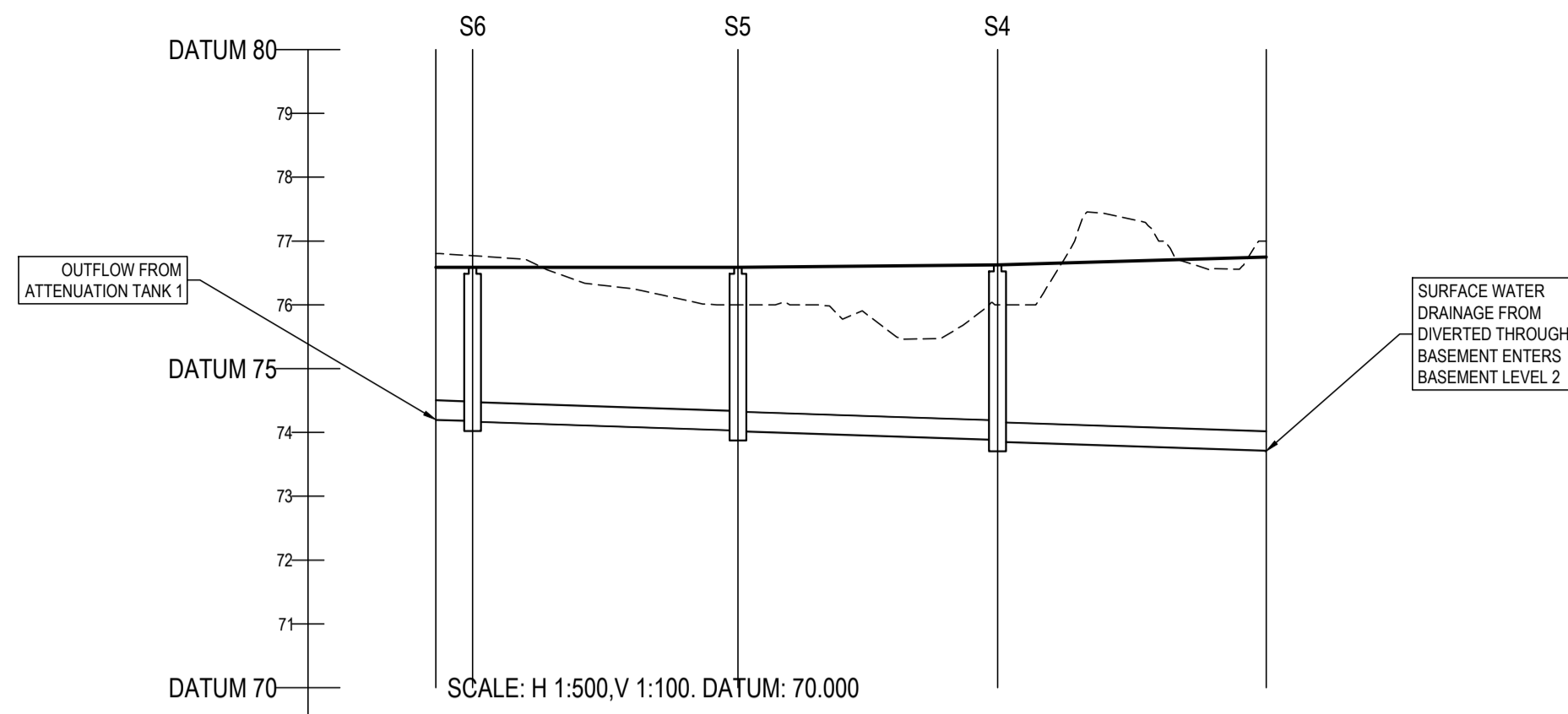
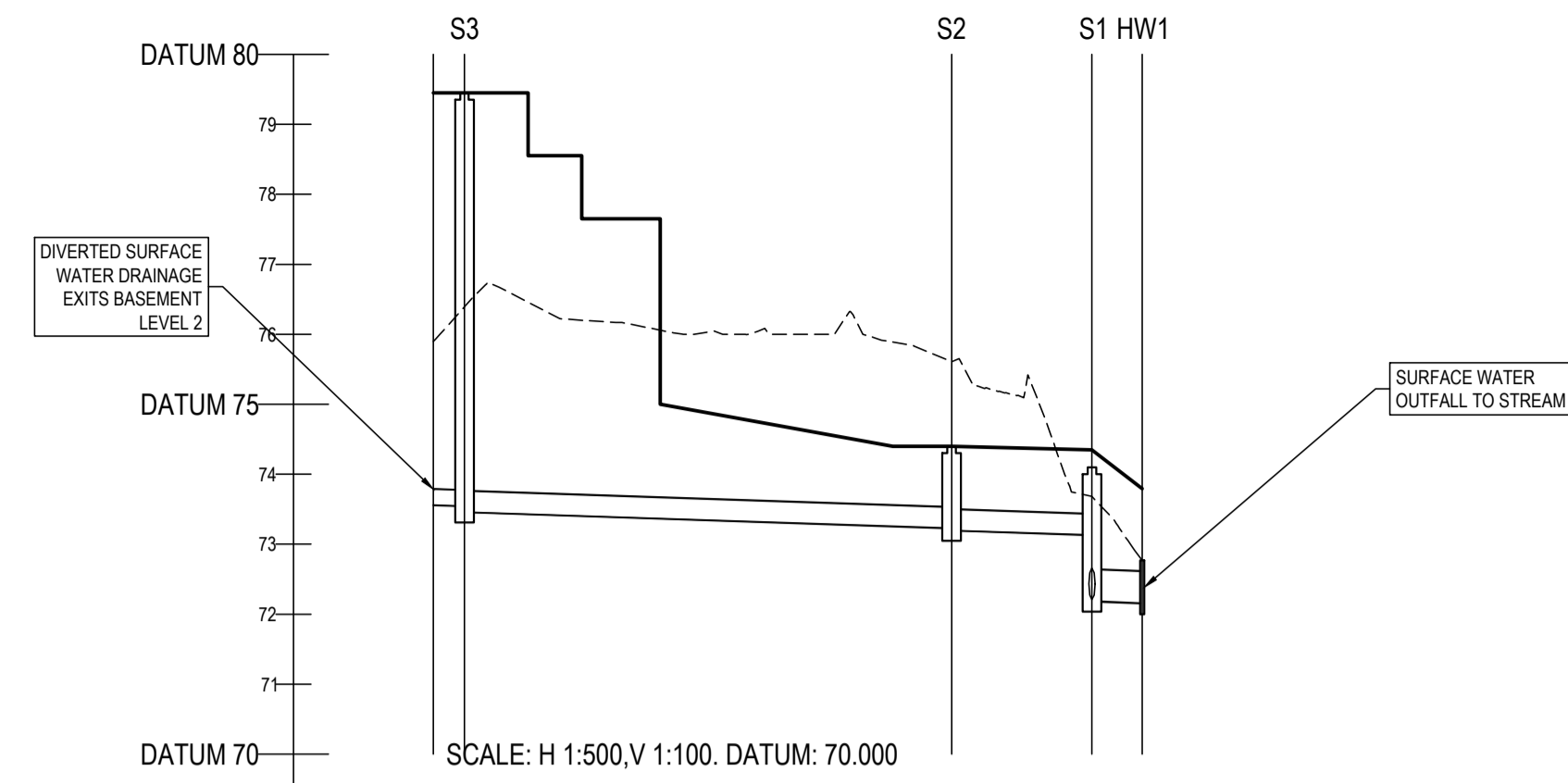


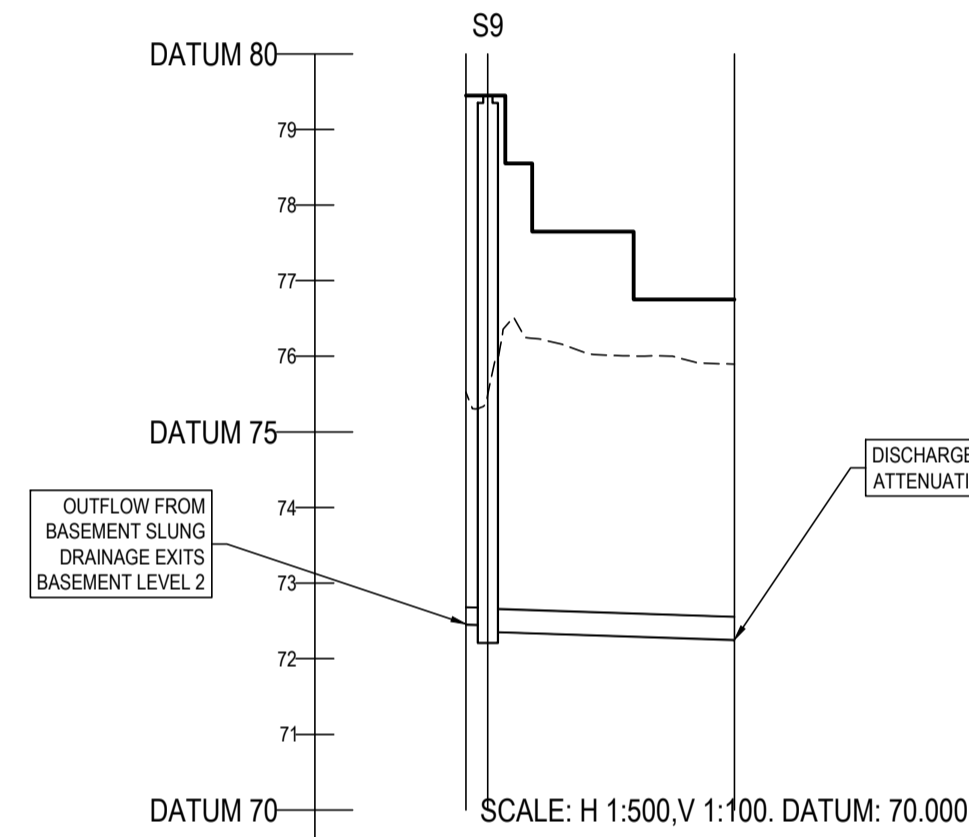
COVER LEVEL	76.713
INVERT LEVEL	75.400 74.200 74.200
DEPTH (m)	2.488
DISTANCE (m)	1.91 3.77
PIPE SLOPE	1:147:1:151
PIPE SIZE	225mm



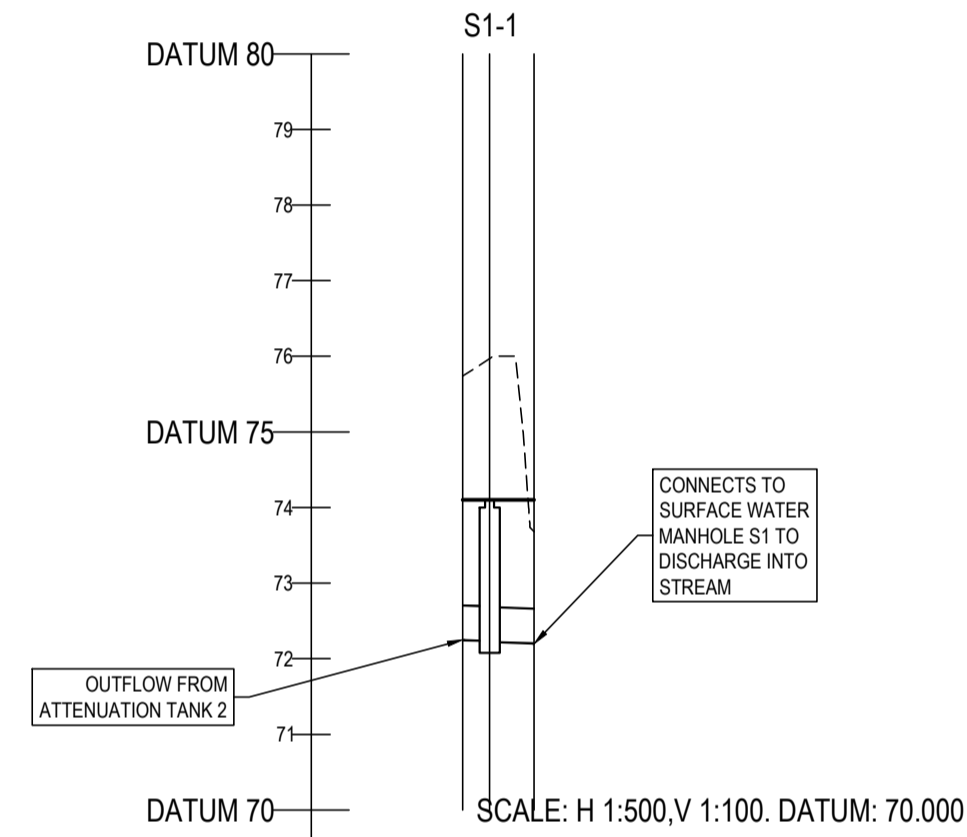
COVER LEVEL	76.887	76.887	76.625
INVERT LEVEL	74.200 74.171	74.022 74.022	73.856 73.715
DEPTH (m)	2.418	2.665	2.798
DISTANCE (m)	2.88 20.78	20.34	21.05
PIPE SLOPE	1:152 1:150	1:150	1:149
PIPE SIZE	300mm 300mm	300mm	300mm



COVER LEVEL	79.450	74.400	74.100	72.770
INVERT LEVEL	73.500 73.460	73.228 73.198	73.131 72.188 72.150	72.150
DEPTH (m)	5.950	1.202	1.912	0.610
DISTANCE (m)	2.22 34.81	10.03	3.58	
PIPE SLOPE	1:148 1:150	1:150	1:128	
PIPE SIZE	225mm 300mm	300mm	450mm	

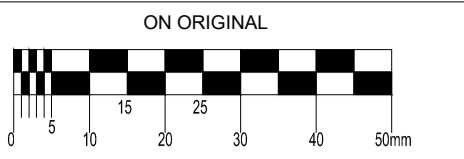


COVER LEVEL	79.450
INVERT LEVEL	72.453 72.399 72.290
DEPTH (m)	7.091
DISTANCE (m)	1.45 16.31
PIPE SLOPE	1:161 1:150
PIPE SIZE	225mm 300mm



COVER LEVEL	74.100
INVERT LEVEL	72.290 72.290 72.290
DEPTH (m)	1.812
DISTANCE (m)	1.792.93
PIPE SLOPE	1:148:1:146
PIPE SIZE	450mm 450mm

© COPYRIGHT OF THIS DRAWING IS RESERVED BY DBFL CONSULTING ENGINEERS. NO PART SHALL BE REPRODUCED OR TRANSMITTED WITHOUT THEIR WRITTEN PERMISSION.



NOTES:

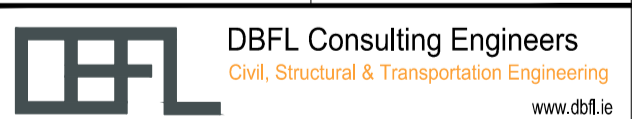
- ALL DRAWINGS TO BE CHECKED BY CONTRACTOR ON SITE AND ENGINEER INFORMED OF DISCREPANCIES BEFORE WORK COMMENCES
- ALL LEVELS ARE IN METRES AND ARE RELATED TO ORDNANCE DATUM
- CONTRACTOR SHALL SATISFY HIMSELF AS TO THE ACCURACY OF PAVEMENT LEVELS ON SITE PRIOR TO COMMENCEMENT OF WORKS ON SITE
- ALL WORKS TO BE CONSTRUCTED IN ACCORDANCE WITH THE NRA SPECIFICATION FOR ROAD WORKS UNLESS NOTED OTHERWISE
- THIS DRAWING IS FOR PLANNING PURPOSES ONLY
- MANHOLE COVER LEVELS ARE TO CONFORM WITH FINISHED ROAD AND PATH LEVELS
- WHERE COVER TO PIPE IS LESS THAN 1200mm (ROAD/PATH/VERGE) OR 900mm (OPEN SPACE) SURROUND PIPE IN MINIMUM 150mm CONCRETE

KEY

- EXISTING GROUND PROFILE
- PROPOSED GROUND PROFILE

P02	09-12-20	PLANNING	BS	NJF
P01	06-11-20	PLANNING	BS	NJF
rev	date	description	by	chkd.
		A - Approved		
		B - Approved with comments		
		C - Do not use		

suitability	issue purpose
S2 - INFORMATION	PLANNING



SUBURB OFFICE: Ormond House, Upper Ormond Quay, Dublin 7, D07 W704
PHONE: +353 1 454 4200
CORK OFFICE: Phoenix House, Monahan Road, Cork, T12 H1XV
PHONE: +353 (0) 21 2024538
WATERFORD OFFICE: Suite 10 The Arcade, Maritime Gate, Canada Street, Waterford, X91 W028
PHONE: +353 51 309 500

project ref.

RESIDENTIAL DEVELOPMENT AT GLENAMUCK ROAD

drawing title
SURFACE WATER DRAINAGE LONGITUDINAL SECTIONS SHEET 1

client

AXIS CONSTRUCTION

designed by	author	scale	sheet size
PCC	BS	AS SHOWN	A1
drawing no.		revision	
	170063-3120	P02	